

Fig. 1 Filament Rewinder

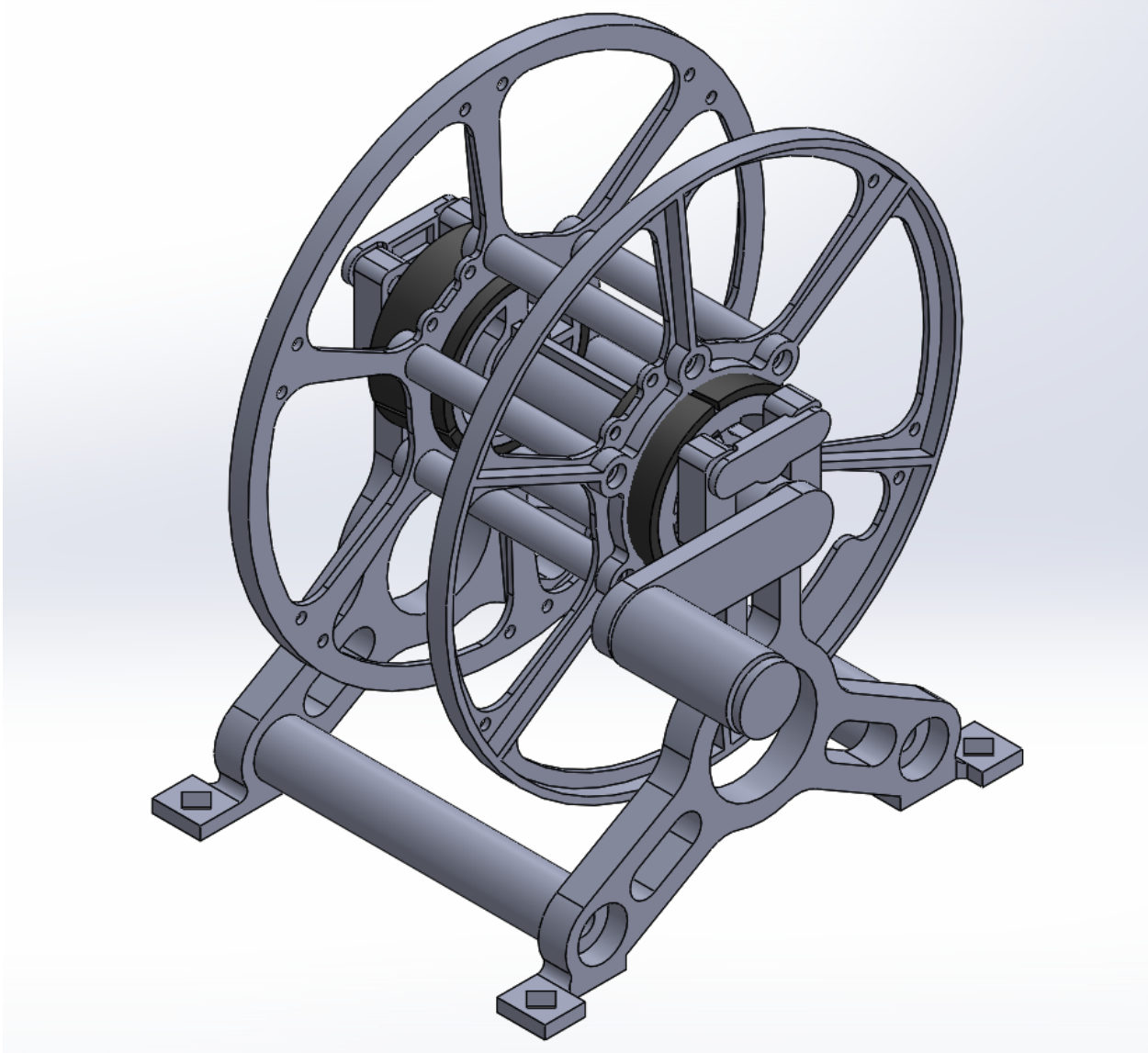


Fig. 2 Spool holder open

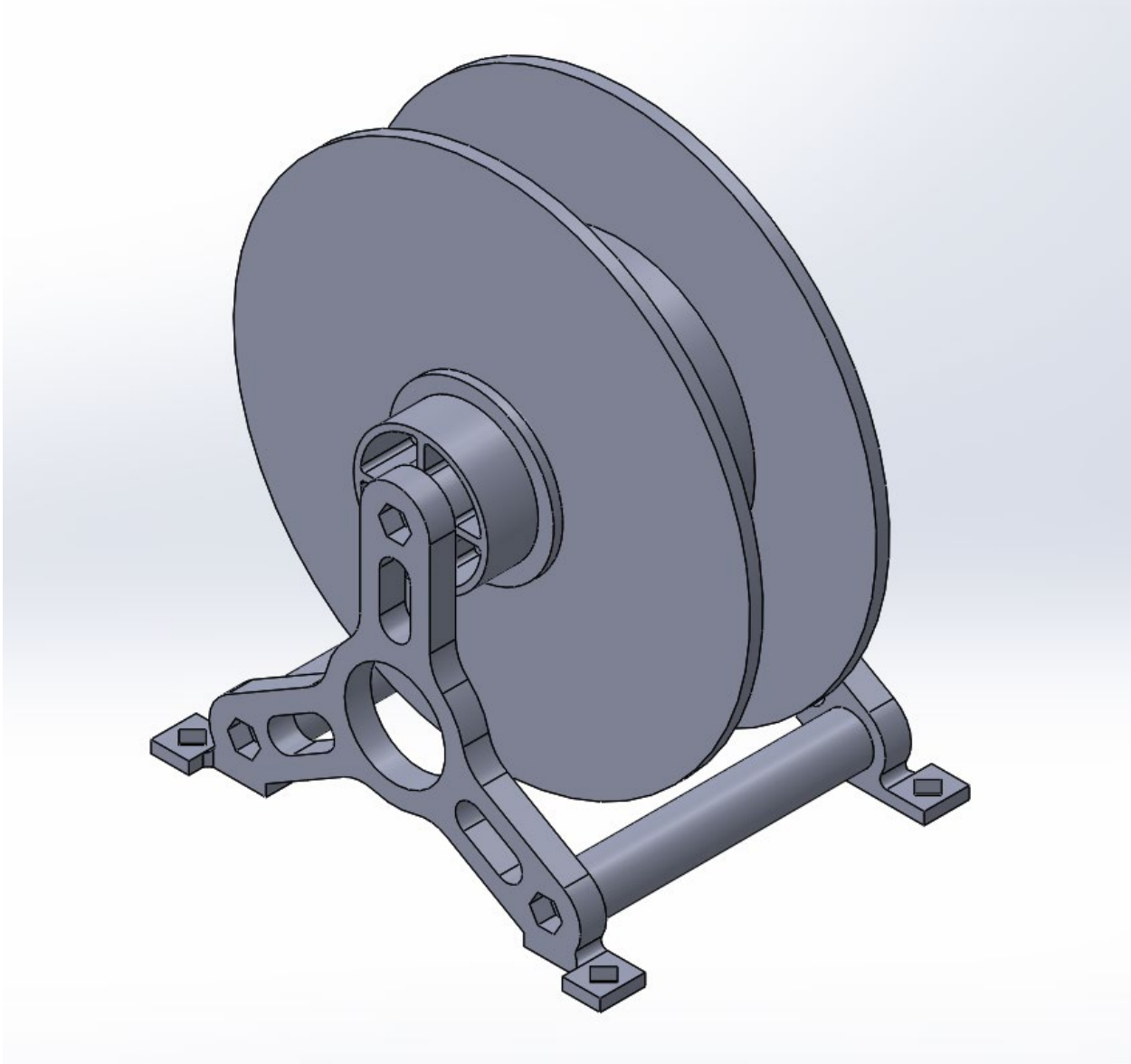


Fig. 3 Spool holder

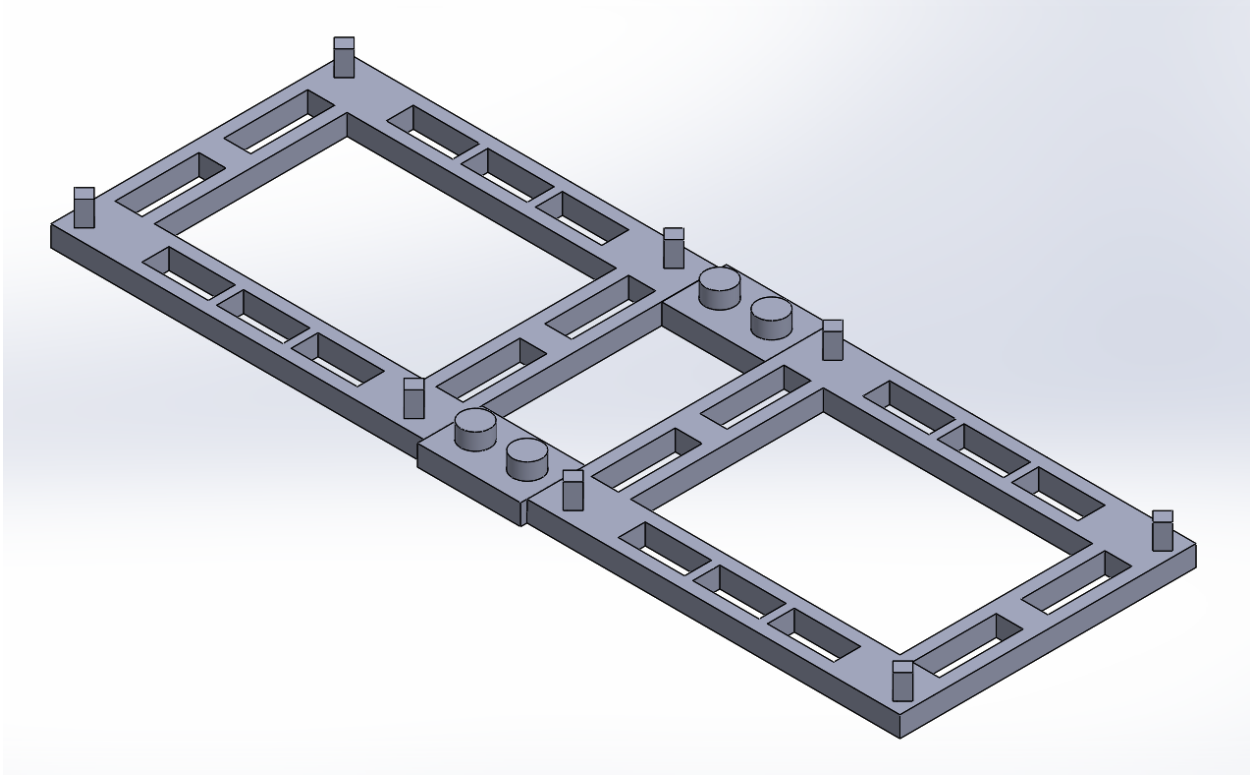


Fig. 4 Base