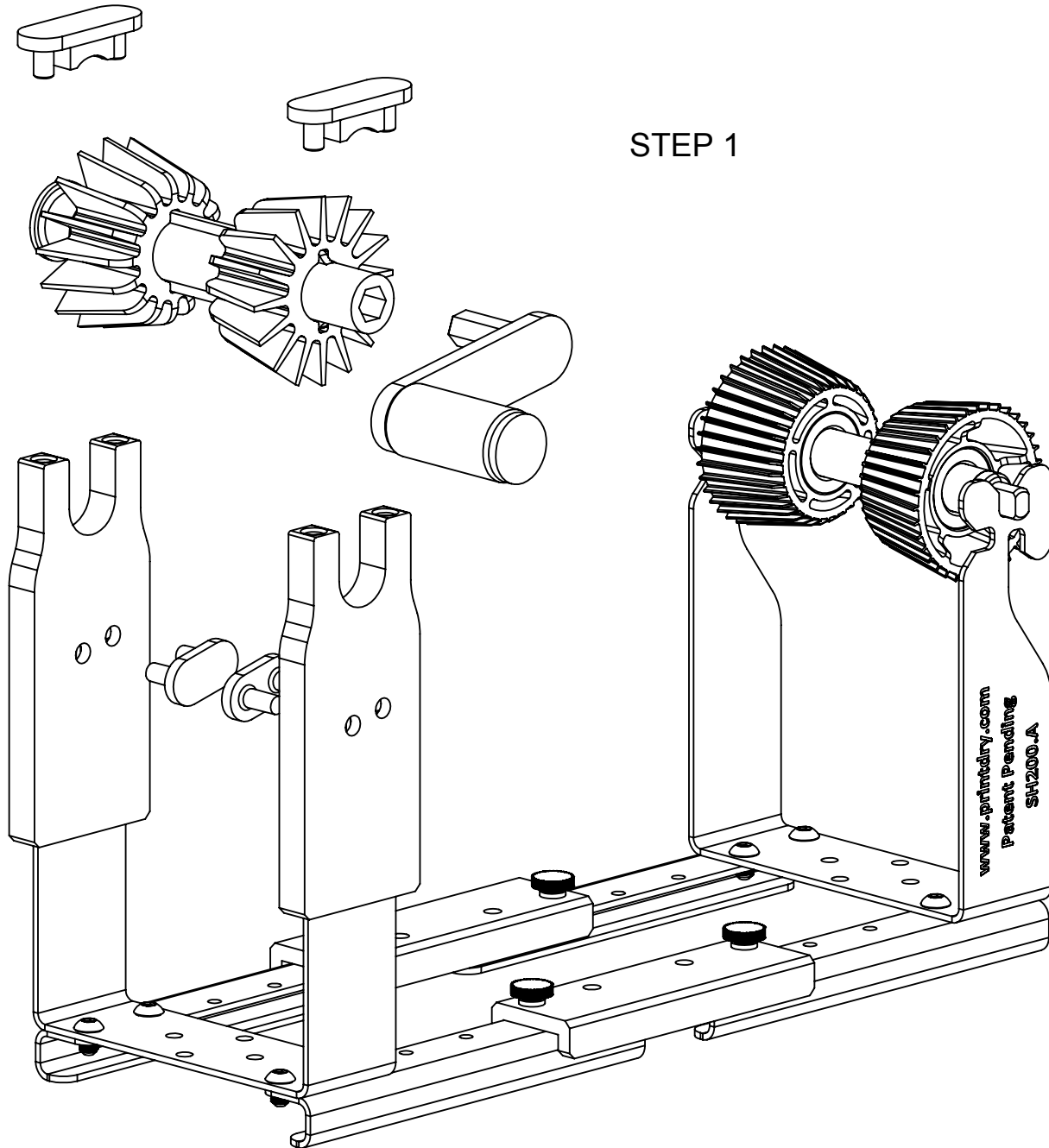
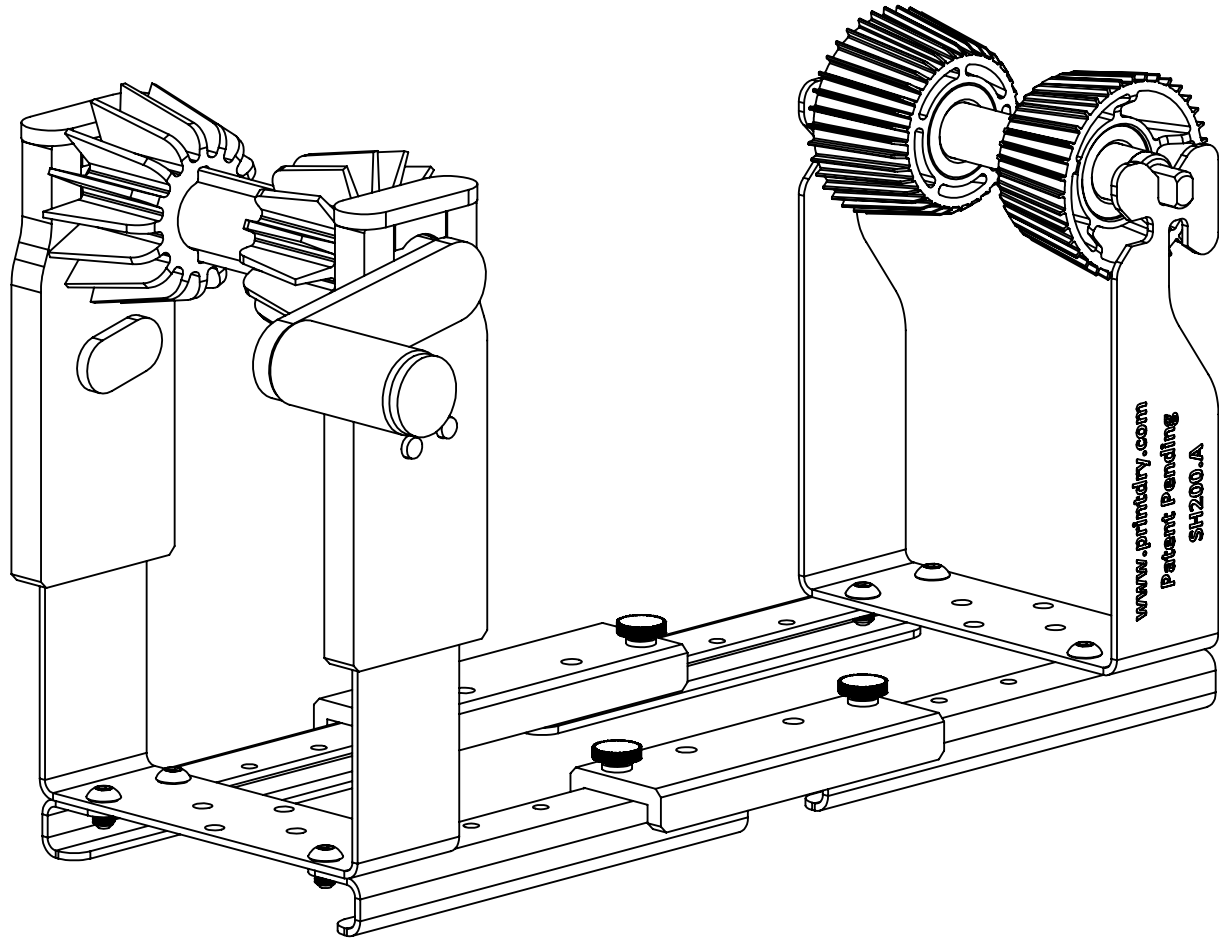


# Re-spool Station V4 Assembly Instruction



STEP 1

STEP 2



STEP 3

